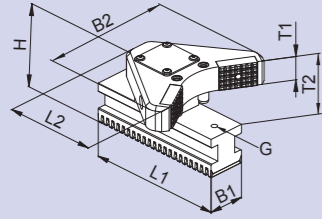


# PJC



## Pendulum jaws complete for 6-point clamping for quick jaw change

■ Modular serration straight System SMW

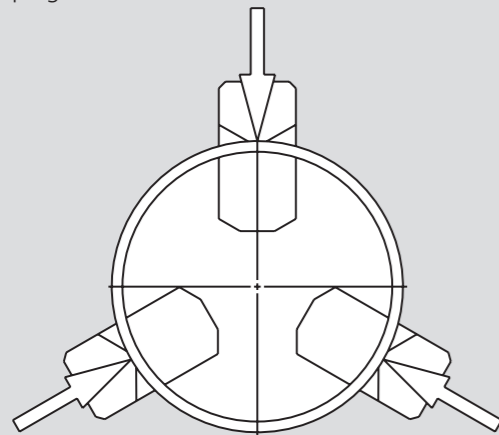
### Pendulum jaws set (1 set = 3 pieces)

Type	Id. No./ Set (1 Set = 3 pieces)	Clamping range	L1	L2	B1	B2	H	T1	T2	G	kg / Set	SMW-AUTOBLOK
PJC 200	5306638	50-90	78	67.9	22	85.1	62	20	37.5	M6	3.33	KNCS-N 210
	5306639	85-140	86.5	64.3	22	107.9	62	20	37.5	M6	3.58	
	5306640	135-170	86.5	61.3	22	134.8	62	20	37.5	M6	3.64	
PJC 200	5306638	50-90	78	67.9	22	85.1	62	20	37.5	M6	3.33	KNCS-N 225
	5306639	85-155	86.5	64.3	22	107.9	62	20	37.5	M6	3.58	
	5306640	120-175	86.5	61.3	22	134.8	62	20	37.5	M6	3.64	
PJC 250	5306641	60-100	93	70.5	26	83.9	68	20	39.5	M6	3.99	KNCS-N 260
	5306642	95-140	93	75.7	26	112.3	68	20	39.5	M6	4.65	
	5306643	135-170	100	84.2	26	150.6	68	20	39.5	M6	5.41	
PJC 250	5306641	65-115	93	70.5	26	83.9	68	20	39.5	M6	3.99	KNCS-N 275
	5306642	100-155	93	75.7	26	112.3	68	20	39.4	M6	4.65	
	5306643	140-185	100	84.2	26	150.6	68	20	39.5	M6	5.41	
PJC 315	5306644	75-115	119	83.0	32	91.3	70	20	36.5	M6	5.18	KNCS-N 325
	5306645	100-160	119	83.7	32	115.6	70	20	36.5	M6	5.26	
	5306646	145-215	119	92.0	32	140.3	70	20	36.5	M6	5.97	
	5306647	180-248	119	83.0	32	163.7	70	20	36.5	M6	6.01	
PJC 200	5306638	50-90	78	67.9	22	85.1	62	20	37.5	M6	3.33	HG-N 210
	5306639	85-135	86.5	64.3	22	107.9	62	20	37.5	M6	3.58	
	5306640	128-160	86.5	61.3	22	134.8	62	20	37.5	M6	3.64	
PJC 250	5306641	60-100	93	70.5	26	83.9	68	20	39.5	M6	3.99	HG-N 260
	5306642	85-126	93	75.7	26	112.3	68	20	39.4	M6	4.65	
	5306643	122-151	100	84.2	26	150.6	68	20	39.5	M6	5.41	
PJC 315	5306644	80-120	119	83.0	32	91.3	70	20	36.5	M6	5.18	HG-N 315
	5306645	115-164	119	83.7	32	115.6	70	20	36.5	M6	5.26	
	5306646	160-207	119	92.0	32	140.3	70	20	36.5	M6	5.97	
	5306647	200-242	119	83.0	32	163.7	70	20	36.5	M6	6.01	

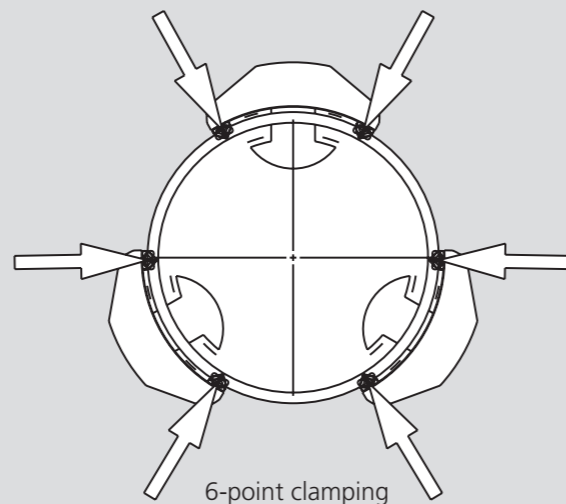
- ▶ For thin walled or deformation sensitive components
- ▶ Cost-efficient solution
- ▶ Short set up times: From 3-point to 6-point clamping
- ▶ Modular design: All parts interchangeable

### Example: Deformation of the workpiece at 3-point and 6-point clamping

Workpiece: Pipe section, 30 mm length, Outside diameter 100 mm, Inside diameter 90 mm  
 Material: 16MnCr5  
 Clamping force: 50 kN



3-point clamping  
Deformation 1,097



6-point clamping  
Deformation 0,063  
Improvement of factor 17

### Setup pendulum jaw

Type	Pendulum jaw cpl. (1 piece)		A: Base jaw cpl. <sup>1</sup>	B: Pendulum segment cpl. <sup>1</sup>	C: Clamping insert hard cpl. <sup>2</sup>	C: Clamping insert soft cpl. <sup>2</sup>	SMW-AUTOBLOK
	Id. No./ piece	kg/ piece	Id. No./ piece	Id. No./ piece	Id. No./ piece	Id. No./ piece	
PJC 200	5306271	1.11	5306368	5306370	5306373	5306374	KNCS-N 210
	5306272	1.19	5306369	5306371	5305807	5306421	
	5306273	1.21	5306969	5306372	5305807	5306421	
PJC 200	5306271	1.11	5306368	5306370	5306373	5306374	KNCS-N 225
	5306272	1.19	5306369	5306371	5305807	5306421	
	5306273	1.21	5306969	5306372	5305807	5306421	
PJC 250	5302901	1.33	5305802	5305803	5305804	5306420	KNCS-N 260
	5302902	1.55	5305802	5305806	5305807	5306421	
	5302903	1.80	5305808	5305809	5305807	5306421	
PJC 250	5302901	1.33	5305802	5305803	5305804	5306420	KNCS-N 275
	5302902	1.55	5305802	5305806	5305807	5306421	
	5302903	1.80	5305808	5305809	5305807	5306421	
PJC 315	5303962	1.73	5305810	5305811	5305804	5306420	KNCS-N 325
	5303963	1.75	5305810	5305813	5305807	5306421	
	5303964	1.99	5305815	5305816	5305807	5306421	
	5303970	2.00	5305815	5305817	5305807	5306421	
PJC 200	5306271	1.11	5306368	5306370	5306373	5306374	HG-N 210
	5306272	1.19	5306369	5306371	5305807	5306421	
	5306273	1.21	5306969	5306372	5305807	5306421	
PJC 250	5302901	1.33	5305802	5305803	5305804	5306420	HG-N 260
	5302902	1.55	5305802	5305806	5305807	5306421	
	5302903	1.80	5305808	5305809	5305807	5306421	
PJC 315	5303962	1.73	5305810	5305811	5305804	5306420	HG-N 315
	5303963	1.75	5305810	5305813	5305807	5306421	
	5303964	1.99	5305815	5305816	5305807	5306421	
	5303970	2.00	5305815	5305817	5305807	5306421	

<sup>1</sup> 1 piece per jaw = 3 pieces per set  
<sup>2</sup> 2 pieces per jaw = 6 pieces per set

### Pendulum jaw cpl. (1 piece) consists of:

