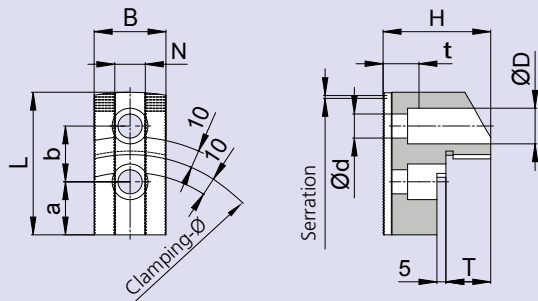


Hard special jaws to customer request

- Simply copy and fax to: +49 (0) 7542 3886
- Download from www.smw-autoblok.de

Hard top jaw for external clamping with smooth clamping surface

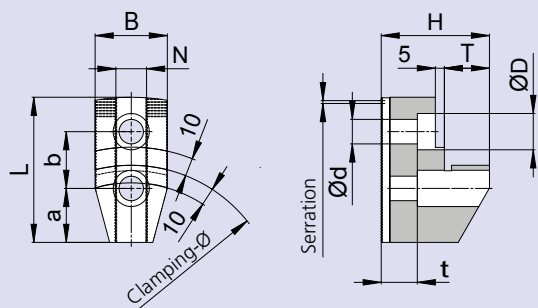


Dimensions					
a		mm	L		mm
b		mm	N		mm
B		mm	t		mm
d		mm	T		mm
D		mm	Clamping-Ø		mm
H		mm	Workpiece-Ø		mm

Jaw serration (please mark)		
	1/16" x 90°	1.5 x 60°
	3/32" x 90°	3 x 60°

Material
Quantity in pieces
Chuck manufacturer
Chuck type + size

Hard top jaw for internal clamping with smooth clamping surface

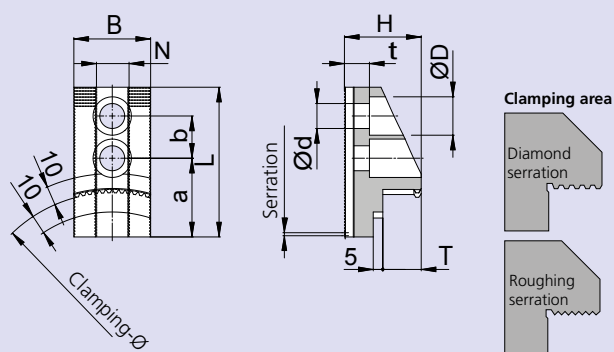


Dimensions					
a		mm	L		mm
b		mm	N		mm
B		mm	t		mm
d		mm	T		mm
D		mm	Clamping-Ø		mm
H		mm	Workpiece-Ø		mm

Jaw serration (please mark)		
	1/16" x 90°	1.5 x 60°
	3/32" x 90°	3 x 60°

Material
Quantity in pieces
Chuck manufacturer
Chuck type + size

Hard top jaw for external clamping with serrated clamping surface



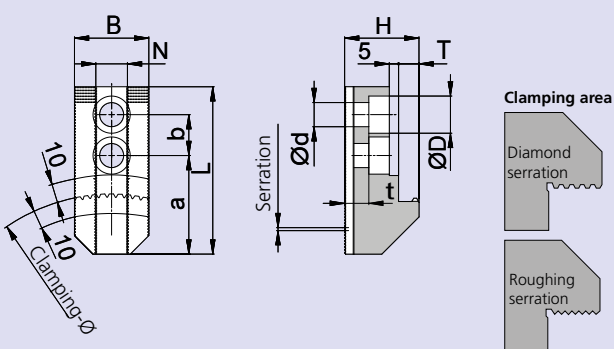
Dimensions					
a		mm	L		mm
b		mm	N		mm
B		mm	t		mm
d		mm	T		mm
D		mm	Clamping-Ø		mm
H		mm	Workpiece-Ø		mm

Jaw serration (please mark)		
	1/16" x 90°	1.5 x 60°
	3/32" x 90°	3 x 60°

Clamping area (please mark)		
	Diamond serration	
	Roughing serration	

Material
Quantity in pieces
Chuck manufacturer
Chuck type + size

Hard top jaw for internal clamping with serrated clamping surface



Dimensions					
a		mm	L		mm
b		mm	N		mm
B		mm	t		mm
d		mm	T		mm
D		mm	Clamping-Ø		mm
H		mm	Workpiece-Ø		mm

Jaw serration (please mark)		
	1/16" x 90°	1.5 x 60°
	3/32" x 90°	3 x 60°

Clamping area (please mark)		
	Diamond serration	
	Roughing serration	

Material
Quantity in pieces
Chuck manufacturer
Chuck type + size