



Application/customer benefits

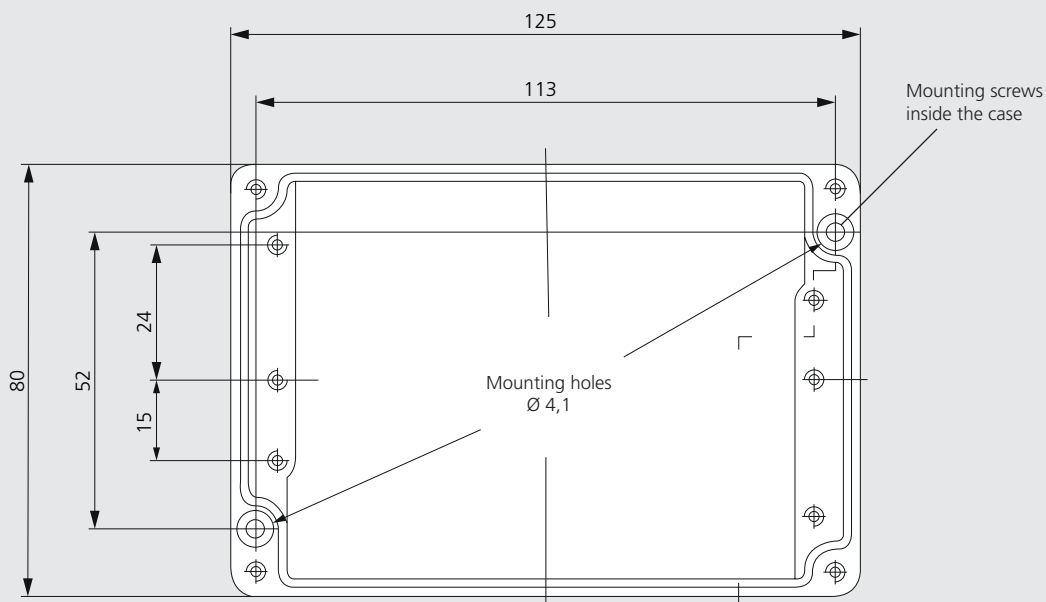
- Binary output signal 10 Bit
- Suitable to LPS 4.0 series
- Binary signal backward compatible to LPS-X, LPS-NT, LPS-XS
- Easy setup - Plug & Play

Technical features

- Dimensions 125 x 80 x 50 mm
- Protection class IP 64
- Operating temperature 0 - 70°C
- Resolution: 0-50 mm 0,05 mm = 1 Digit
> 50 mm 0,10 mm = 1 Digit
- Connections: Socket 16-pin Zylind R,
style A, code N
Connection cable for LPS 4.0
3m with M12 x 1 plug
- Weight: 700 g

Standard equipment

Binary Interface Box



Case Binary interface box

Technical data

Binary interface box for LPS 4.0

Id. No.

209013