

■ For SMW-AUTOBLOK hydraulic clamping cylinders



Application/customer benefits

- Monitoring of the entire cylinder stroke/safe controlling of any clamping position
- No repositioning of prox. switches when changing chucks
- Ready for Industry 4.0

Technical features

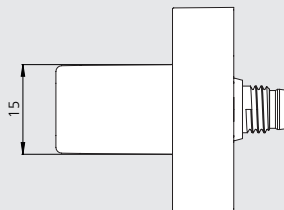
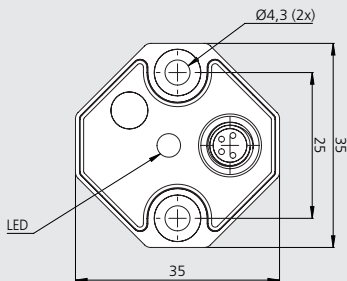
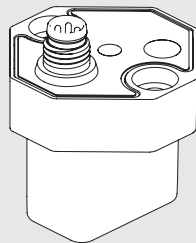
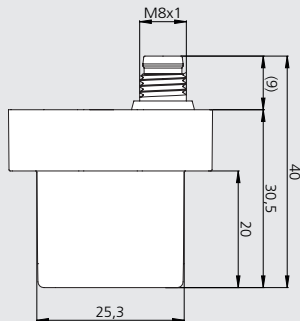
- Inductive measuring principle
- No interference from magnetic fields
- Measuring range = 14 mm
- Compact design / simple installation
- Analog output 0-10 V (Id. No. 208106)
- IO Link standard interface
- Protection class IP 67

Standard equipment

LPS 4.0 14 IO without cable

Ordering example

LPS 4.0 14 IO 0-10 V
Id. No. 208106
Cable with elbow plug 5 m
Id. No. 208241



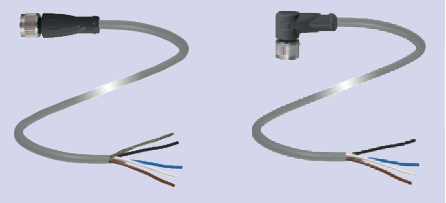
Pin Assignment Plug M8 x 1

Pin	Description
1	24V DC
2	Signal output 0-10 V
3	GND
4	C/Q (data)

Technical data

SMW-AUTOBLOK Type	LPS 4.0 14 IO 0-10 V
Id. No.	208106
Measuring range	14 mm
Signal	0-10 V
Supply	24 V DC
Repeat accuracy	± 0.05 mm
Linearity	± 0.20 mm
Temperature drift	0.25 mm
Operating temperature	0 - 70°
Protection class	IP 67
Interface	IO Link 1.0

Cables for LPS 4.0 14 IO*	Length	Id. No.
Sensor connection cable straight plug M8 x 1 5-pin	5 m	208238
	10 m	208239
	15 m	208240
Sensor connection cable elbow plug M8 x 1 5-pin	5 m	208241
	10 m	208242
	15 m	208243



* Shielded PUR cable, 1 side cable end, 1 side with socket M8 x 1, machined and gold-plated contacts.

■ For SMW-AUTOBLOK hydraulic clamping cylinders



Application/customer benefits

- Monitoring of the entire cylinder stroke / safe controlling of any clamping position
- No repositioning of prox. switches when changing chucks
- Ready for Industry 4.0

Technical features

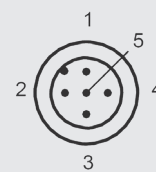
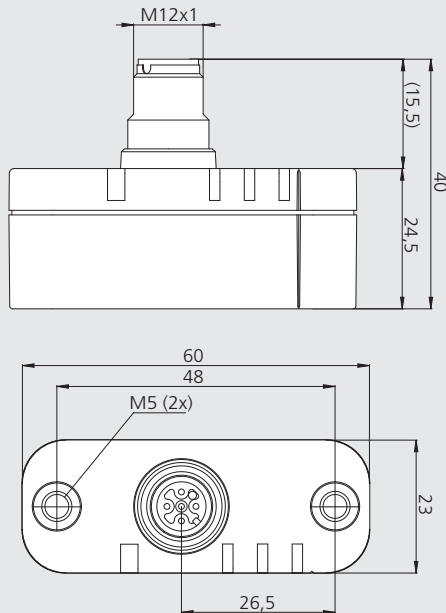
- Inductive measuring principle
- No interference from magnetic fields
- Measuring range = 48 mm
- Compact design / simple installation
- Analog output 0-10 V (Id. No. 208108) / 4-20 mA (Id. No. 208107)
- IO Link standard interface
- Protection class IP 67
- LEDs for operating status

Standard equipment

LPS 4.0 48 IO without cable

Ordering example

LPS 4.0 48 IO 0-10 V
Id. No. 208108
Cable with elbow plug 5 m
Id. No. 208247



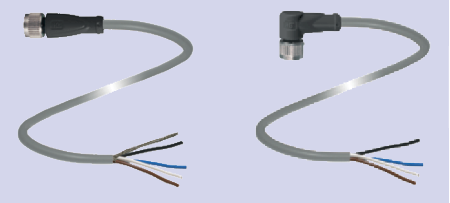
Pin Assignment Plug M12 x 1

Pin	Description
1	24V DC
2	not used
3	GND
4	C/Q (data)
5	Signal output 0-10 V (Id. No. 208108) Signal output 4-20 mA (Id. No. 208107)

Technical data

SMW-AUTOBLOK Type	LPS 4.0 48 IO 0-10 V	LPS 4.0 48 IO 4-20 mA
Id. No.	208108	208107
Measuring range	48 mm	48 mm
Signal	0-10 V	4-20 mA
Supply	24 V DC	24 V DC
Repeat accuracy	± 0.1 mm	± 0.1 mm
Linearity	± 0.2 mm	± 0.2 mm
Temperature drift	0.25 mm	0.25 mm
Operating temperature	0 - 70°	0 - 70°
Protection class	IP 67	IP 67
Interface	IO Link 1.1	IO Link 1.1

Cables for LPS 4.0 48 IO	Length	Id. No.
Sensor connection cable straight plug M 12 x 1 5-pin	5 m	208244
	10 m	208245
	15 m	208246
Sensor connection cable elbow plug M 12 x 1 5-pin	5 m	208247
	10 m	208248
	15 m	208249



* Shielded PUR cable, 1 side cable end, 1 side with socket M12 x 1, machined and gold-plated contacts.

■ For SMW-AUTOBLOK hydraulic clamping cylinders

Linear Position Sensor
Measuring range 120 mm



Application/customer benefits

- Monitoring of the entire cylinder stroke / safe controlling of any clamping position
- No repositioning of prox. switches when changing chucks
- Ready for Industry 4.0

Technical features

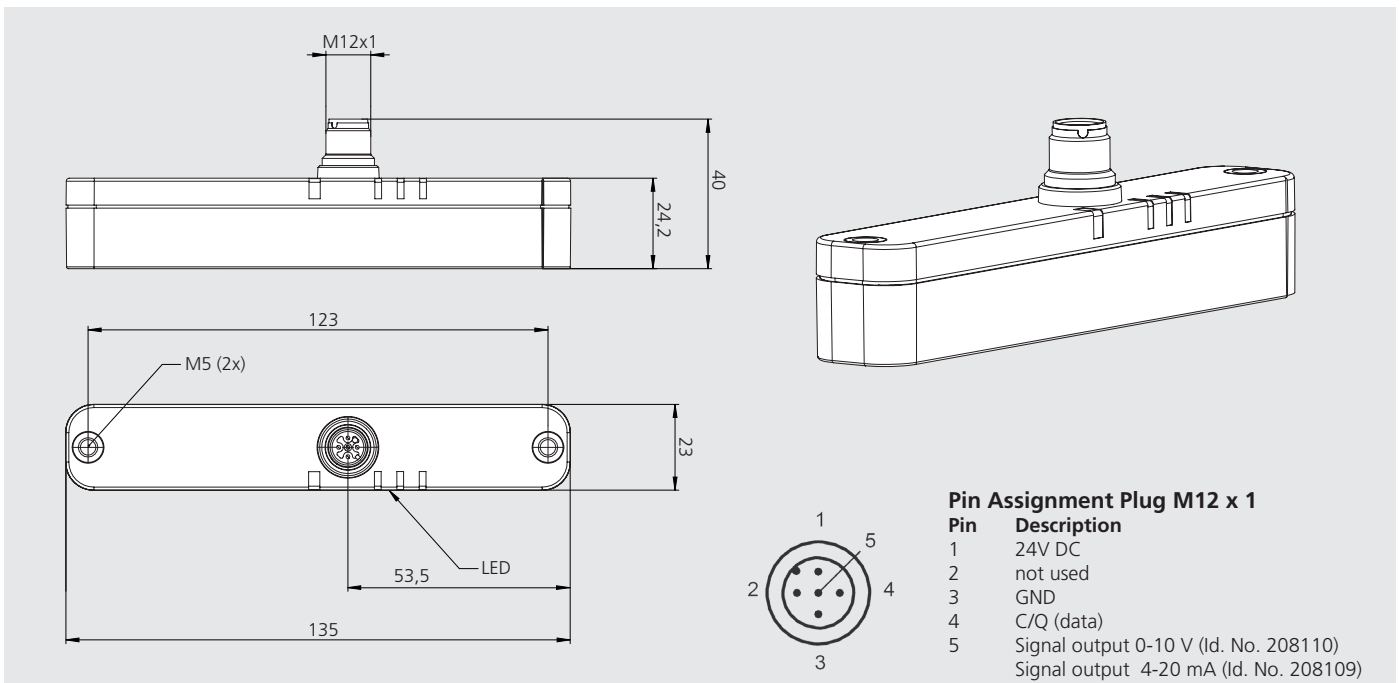
- Inductive measuring principle
- No interference from magnetic fields
- Measuring range = 120 mm
- Compact design / simple installation
- Analog output 0-10 V (Id. No. 208110) / 4-20 mA (Id. No. 208109)
- IO Link standard interface
- Protection class IP 67
- LEDs for operating status

Standard equipment

LPS 4.0 120 IO without cable

Ordering example

LPS 4.0 120 IO 0-10 V
Id. No. 208110
Cable with elbow plug 5 m
Id. No. 208247



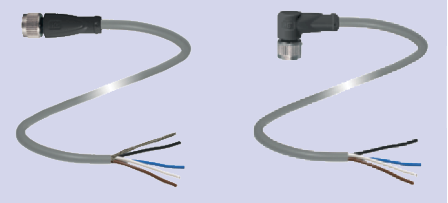
Pin Assignment Plug M12 x 1

Pin	Description
1	24V DC
2	not used
3	GND
4	C/Q (data)
5	Signal output 0-10 V (Id. No. 208110) Signal output 4-20 mA (Id. No. 208109)

Technical data

SMW-AUTOBLOK Type	LPS 4.0 120 IO 0-10 V	LPS 4.0 120 IO 4-20 mA
Id. No.	208110	208109
Measuring range	120 mm	120 mm
Signal	0-10 V	4-20 mA
Supply	24 V DC	24 V DC
Repeat accuracy	± 0.1 mm	± 0.1 mm
Linearity	± 0.2 mm	± 0.2 mm
Temperature drift	0.25 mm	0.25 mm
Operating temperature	0 - 70°	0 - 70°
Protection class	IP 67	IP 67
Interface	IO Link 1.1	IO Link 1.1

Cables for LPS 4.0 120 IO	Length	Id. No.
Sensor connection cable straight plug M12 x 1 5-pin	5 m	208244
	10 m	208245
	15 m	208246
Sensor connection cable elbow plug M12 x 1 5-pin	5 m	208247
	10 m	208248
	15 m	208249



* Shielded PUR cable, 1 side cable end, 1 side with socket M12 x 1, machined and gold-plated contacts.